



AC Isolation Switch

EAS Series AC Isolation Switches

Leading Manufacturer Protects Solar Power Safety

Rev3.0 2022/12/28



EAS series AC isolation switches



Product Application

The EAS Series AC isolation switches are suitable for switching on and off AC circuit systems, such as in PV systems and air conditioning systems. This weatherproof disconnecter is particularly suited for outdoor installation and can achieve IP66 protection level. The base mounted mechanism provides more convenient termination and wiring room.

Product Benefits

- Switching ON & OFF on-load
- 4pcs screws with protective caps for high strength locking
- IP66 & UV resistance and flame-retardant material
- Dual 25mm threaded conduit entries on top and bottom
- Pad-lockable handle
- 5 years warranty, product insurance, and recall insurance available

Select Code

| | | | | | | | | | |
|---|---|---|---|---|---|---|---|---|---|
| E | A | S | 5 | □ | / | □ | / | □ | □ |
| 1 | 2 | 3 | 4 | 5 | 6 | 7 | 8 | | |

| Code | Name | Description |
|------|-----------------------|----------------------|
| 1 | brand | E |
| 2 | AC | A |
| 3 | Isolation Switch | S |
| 4 | Insulation Voltage Ui | 5 : 500V |
| 5 | Mounting Type | EL:Enclosure Box |
| 6 | Rated Current | 20:20A 35:35A 63:63A |
| 7 | Pole | 1:1P 2:2P 3:3P 4:4P |
| 8 | Size box | N:Big box |

Appearance Introduction



AC ISOLATION SWITCH

EAS series AC isolation switches

Technical Data

According to EN60947-3, AS/NZS 60947-3

| Type designation | EAS5EL/20 | EAS5EL/35 | EAS5EL/63 |
|---|--|-----------|-----------|
| Ambient temperature | -5°C ~+40°C | | |
| Interrupting medium | Air | | |
| Utilization category | AC-22A | | |
| Number of poles | 1P(x=1), 2P(x=2) 1P(y=1), 2P(y=2), 3P(y=3) , 4P(y=4) | | |
| Rated operational voltage / current | N: AC250(1P),AC440V(2P/3P/4P) | | |
| Rated frequency | 20A | 35A | 63A |
| Rated Insulation voltage (Ie) | 50/60Hz | | |
| Conventional free air thermal current | 500 V | | |
| Conventional enclosed thermal current (Ui) | // | | |
| Rated short-time withstand current (Ith) | 20A | 35A | 63A |
| Rated short-time making capacity (Ithe) | 0,76kA, 1s | | |
| Rated conditional short-circuit current (Icw) | 1,5kA | | |
| Short circuit protective device (Icm) | // | | |
| Rated Impulse withstand voltage (Icn) | 4,0 kV | | |
| Overvoltage category | II | | |
| IP code (Uimp) | IP66 | | |
| Pollution degree | 3 | | |
| Suitability for isolation | Yes | | |

Terminals /connection

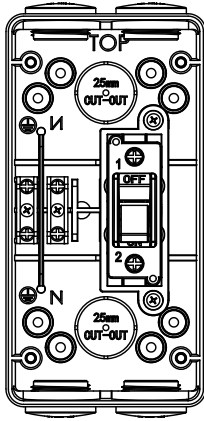
| Type designation | EAS5EL |
|--|---|
| Number of poles | 1P, 2P, 3P, 4P |
| Terminal designation, main circuit | 1, 2 ; 1, 2, 3, 4 ; 1, 2, 3, 4, 5, 6 ; 1, 2, 3, 4, 5, 6, 7, 8 |
| Type of terminal, main circuit | Screw terminal |
| Rated cross sectional area, main circuit | 2,5-25mm ² |
| Type of conductor | Flexible or rigid |
| Number of conductors per terminal | 1 |
| Required preparation of the conductor | No |
| Stripping length (mm), main circuit | - |
| Tightening torque, main circuit (Nm) | 2,5Nm (M6) |

Contacts Wiring Diagram

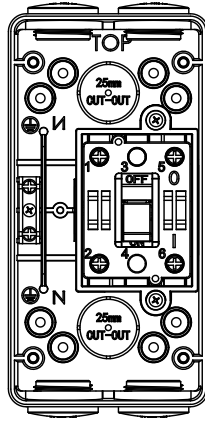
| Type | EAS5EL/N | | | | | | | | | | | |
|---------------------------|----------|-----|-----|--------|-----|-----|--------|-----|-----|--------|-----|-----|
| Pole | 1 Pole | | | 2 Pole | | | 3 Pole | | | 4 Pole | | |
| Rated operational current | 20A | 35A | 63A | 20A | 35A | 63A | 20A | 35A | 63A | 20A | 35A | 63A |
| Contacts wiring diagram | | | | | | | | | | | | |

EAS series AC isolation switches

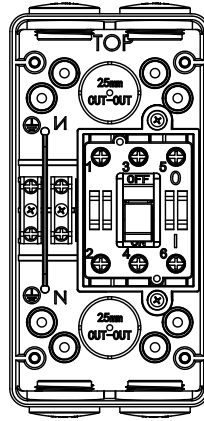
Structure



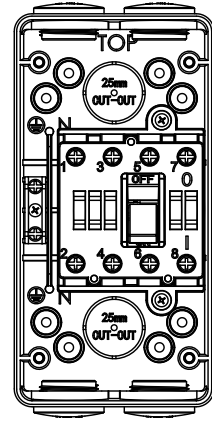
1Pole 250V (20A, 35A, 63A)



2Pole 440V (20A, 35A, 63A)

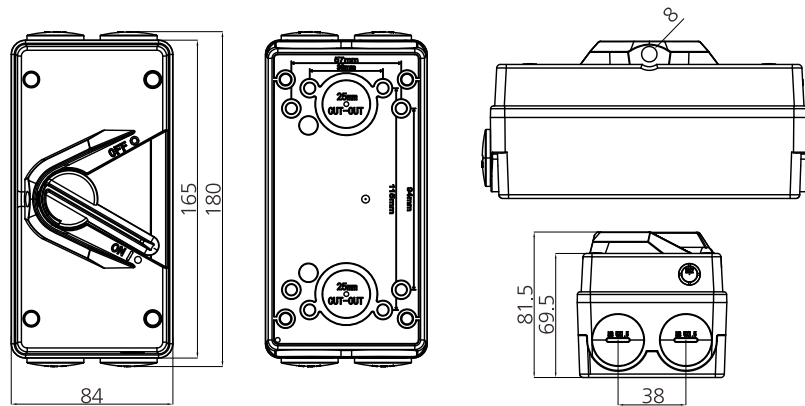


3Pole 440V (20A, 35A, 63A)



4Pole 440V (20A, 35A, 63A)

Dimensions(mm)



AC ISOLATION SWITCH

EAS series AC isolation switches



Product Application

The EAS Series AC isolation switches are suitable for switching on and off AC circuit systems, such as in PV systems and air conditioning systems. This weatherproof disconnecter is particularly suited for outdoor installation and can achieve IP66 protection level. The base mounted mechanism provides more convenient termination and wiring room.

Product Benefits

- Switching ON & OFF on-load
- 4pcs screws with protective caps for high strength locking
- IP66 & UV resistance and flame-retardant material
- Dual 25mm threaded conduit entries on top and bottom
- Pad-lockable handle
- 5 years warranty, product insurance, and recall insurance available

Select Code

| | | | | | | | | | |
|---|---|---|---|---|---|---|---|---|---|
| E | A | S | 5 | □ | / | □ | / | □ | □ |
| 1 | 2 | 3 | 4 | 5 | 6 | 7 | 8 | | |

| Code | Name | Description |
|------|-----------------------|----------------------|
| 1 | brand | E |
| 2 | AC | A |
| 3 | Isolation Switch | S |
| 4 | Insulation Voltage Ui | 5 : 500V |
| 5 | Mounting Type | EL:Enclosure Box |
| 6 | Rated Current | 20:20A 35:35A 63:63A |
| 7 | Pole | 1:1P 2:2P |
| 8 | Size box | NS:Small box |

Appearance Introduction



EAS series AC isolation switches

Technical Data

According to EN60947-3, AS/NZS 60947-3

| Type designation | EAS5EL/20 | EAS5EL/35 | EAS5EL/63 |
|---|-----------------------------------|-----------|-----------|
| Ambient temperature | -5°C ~+40°C | | |
| Interrupting medium | Air | | |
| Utilization category | AC-22A | | |
| Number of poles | 1P(x=1), 2P(x=2) 1P(y=1), 2P(y=2) | | |
| Rated operational voltage / current | NS: AC(250V) (1P/2P) | | |
| Rated frequency | 20A | 35A | 63A |
| Rated Insulation voltage (Ie) | 50/60Hz | | |
| Conventional free air thermal current | 500 V | | |
| Conventional enclosed thermal current (Ui) | // | | |
| Rated short-time withstand current (Ith) | 20A | 35A | 63A |
| Rated short-time making capacity (Ithe) | 0,76kA, 1s | | |
| Rated conditional short-circuit current (Icw) | 1,5kA | | |
| Short circuit protective device (Icm) | // | | |
| Rated Impulse withstand voltage (Icn) | 4,0 kV | | |
| Overvoltage category | II | | |
| IP code (Uimp) | IP66 | | |
| Pollution degree | 3 | | |
| Suitability for isolation | Yes | | |

Terminals /connection

| Type designation | EAS5EL/NS |
|--|---|
| Number of poles | 1P, 2P |
| Terminal designation, main circuit | 1, 2 ; 1, 2, 3, 4 ; 1, 2, 3, 4, 5, 6 ; 1, 2, 3, 4, 5, 6, 7, 8 |
| Type of terminal, main circuit | Screw terminal |
| Rated cross sectional area, main circuit | 2,5-25mm ² |
| Type of conductor | Flexible or rigid |
| Number of conductors per terminal | 1 |
| Required preparation of the conductor | No |
| Stripping length (mm), main circuit | - |
| Tightening torque, main circuit (Nm) | 2,5Nm (M6) |

Contacts Wiring Diagram

| Type | EAS5EL/NS | | | | | |
|---------------------------|-----------|-----|-----|--------|-----|-----|
| Pole | 1 Pole | | | 2 Pole | | |
| Rated operational current | 20A | 35A | 63A | 20A | 35A | 63A |
| Contacts wiring diagram | | | | | | |

AC ISOLATION SWITCH

EAS series AC isolation switches

Dimensions(mm)

